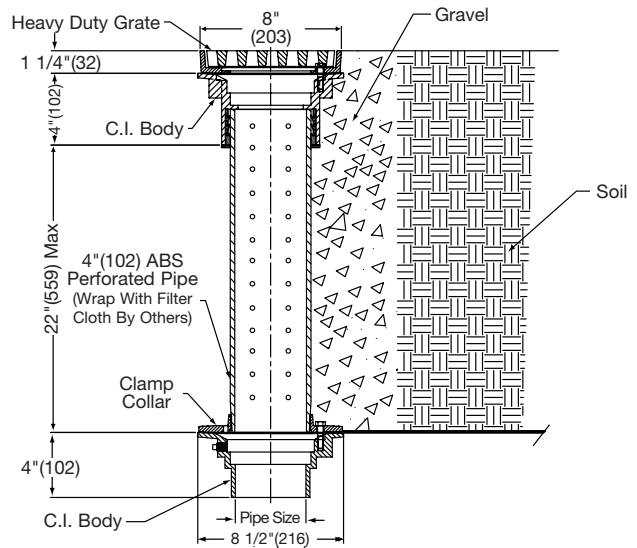


Specialty Floor Drains

FD-880

Ground Water Containment Drain

| Model Number | Weight (lbs.) | Str. Size | Pipe Size | Strainer | List Price |
|----------------|---------------|-----------|-----------|---------------|------------|
| FD-882, 3, 4, | 34 | 8" | 2,3,4" | ductile iron | \$1,505.00 |
| FD-882, 3, 4-1 | 34 | 8" | 2, 3, 4" | nickel bronze | 2,045.00 |



Options for FD-880 Series:

| Suffix | Description | List Price | Suffix | Description | List Price |
|--------|---------------------|------------|--------|---------------------------|------------|
| None | No Hub | No Add | -6 | Vandal Proof | \$147.00 |
| P | Push-On Outlet | No Add | -7 | Trap Primer Tapping | No Add |
| T | Threaded Outlet | \$80.00 | -21 | Secondary Strainer | 67.50 |
| X | Inside Caulk Outlet | No Add | -S0 | Side Outlet (2,3,4" only) | 218.00 |
| -5 | Sediment Bucket | 138.50 | | | |

FD-890

Planter Drain with Removable Cover

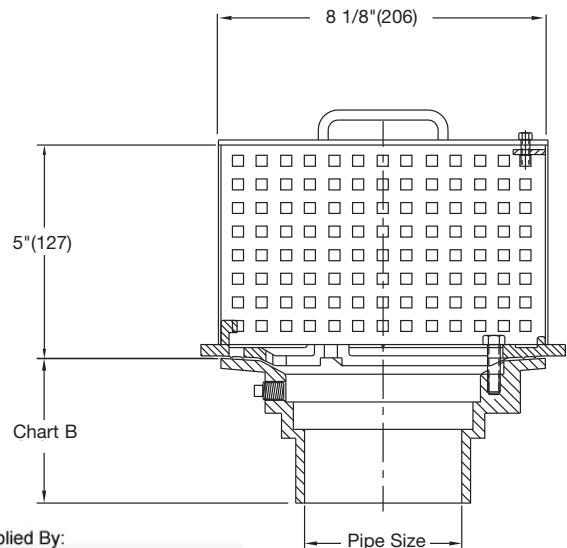
| Model Number | Weight (lbs.) | Pipe Size | Cover | List Price |
|---------------|---------------|-----------|-----------------|------------|
| FD-882, 3, 4, | 14 | 2,3,4" | Stainless Steel | \$1,401.50 |



Note: Funnels are ordered separately. See page 63 for details.

Options for FD-890 Series

| Suffix | Description | List Price |
|--------|---------------------------|------------|
| None | No Hub Outlet | No Add |
| P | Push-On Outlet | No Add |
| T | Threaded Outlet | \$80.00 |
| X | Inside Caulk | No Add |
| -13 | Galvanized Body and Clamp | 196.50 |
| -S0 | Side Outlet | 218.00 |



Supplied By:



877-903-7246

www.commercialplumbingsupply.com

Consult factory for all applications outside of listed parameters. Prices do not include applicable taxes.

